

Operating and mounting instructions

PowerBlock io64

Order number: 77024-180-03

General usage

Power Block series consists of 4 different devices types. It can be installed in a standard distribution board.

- only 4 DIN Rail modules for 4 outputs and 6 inputs
- only 4 DIN Rail modules for 8 outputs (Binary/Shutter/Blind)
- only 8 DIN Rail modules for 16 outputs (Binary/Shutter/Blind)



A brief overview of the functionality is given in the following table:

Outputs	
BINARY (POWER LEDs SUPPORTED)	SHUTTER / BLIND
Bus failure	Bus failure
Central ON/OFF	Scenes
Counters	Presets
Scenes	Alarms
Timers	Disable function
Alarms	Manual control
Disable function	
Manual control	

ADVANCED FUNCTIONS	
Analog & digital alarms	Logic functions
Scene controller	Advanced scene controller
Timers (with cyclic sending of time remaining)	Setpoints
Overwrite end user parameters	Behaviour at bus recovery

Device type and accessories

At present the following device types are available in the PowerBlock control group:

Product	Description	Order number:
PowerBlock o8	8 capacitive outputs	77024-180-01
PowerBlock o8m	8 capacitive outputs	77024-180-04
PowerBlock o16	16 capacitive outputs	77024-180-02
PowerBlock o16m	16 capacitive outputs	77024-180-05
PowerBlock io64	4 capacitive outputs + 6 analog / digital inputs	77024-180-03
InBlock i8HV	8 x 230VAC inputs	77024-180-30

Scope of delivery

The following individual components are included in the delivery of the PowerBlock device:

- Complete device with connected bus connector
- Operating and mounting instructions
- 1x heat shrinkable tubing 1.2 x 2cm for additional insulation of the bus cable
- Delivered in break-proof individual packaging

Application programs

The following application programs are currently available for the PowerBlock device:

- 77014-PowerBlock io64-11-0110

Installation device



Risk of death by electric shock.

- The device is intended for interior installation in dry rooms.
- The device must only be installed and commissioned by an accredited electrical engineer.
- When planning and construction of electrical installations, the national guidelines, rules and regulations of the country in question are to be obeyed, as well as all current KNX guide lines.
- For the installation the device must be switched to zero potential.
- The device must not be opened.
- Any faulty devices are to be sent together with a return delivery to the manufacturer.

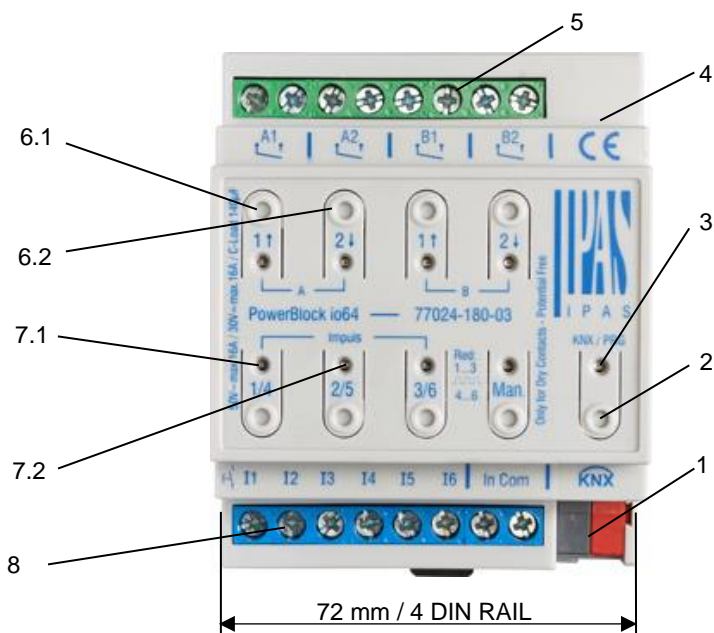
Technical data

POWER AND OUTPUTS SPECIFICATIONS		
Power supply	Supply Voltage: Max. Consumption: Additional power supply:	21..30VDC 9,4mA No
Number of outputs	Contacts:	4 Dry contact (potential-free)
Output configuration		Up to 4 outputs Up to 2 channels
Output nominal values	AC rated current / voltage: DC rated current / voltage:	16A / 250VAC 50/60Hz C-Loads max. = 140 µF 16A / 30VAC
Device nominal values	Current / Voltage:	16A /250VAC per Output
Phases switching distribution		1 independent phase allowed per output.
Output life expectancy	Mechanical:	> 3x10 ⁶ operations (at 60 times/min)
	Electrical:	> 4x10 ⁴ cycles with resistive load at maximal current.
Connections	KNX bus connection terminal: Terminal screw block: Tightening torque for terminal screw:	0,8 mm Ø solid Max. 6 mm Ø solid Maximum 0.6 Nm
Number of inputs	Total Inputs	6 binary/analog mixed inputs with 2 common terminals
Type of inputs	Binary / Analog	Ready for: - Dry contacts - Standard movement detector with dry contact output - Sensor temperature NTC - Monitored inputs with end line resistor
Scanning voltage	Common input:	3,3V

Input current	Per input:	0,3mA
Protection		Short-circuit proof
Max. cable length	For binary and analog inputs:	40m
Connections	KNX: (black/red), TP Terminal screw block: Tightening torque for terminal screw:	0,8 mm Ø solid max. 6 mm Ø solid Maximum 0.6 Nm
GENERAL SPECIFICATIONS		
Control and display elements	Programming button:	To assign the physical address. Displays addressing mode
	LED, red:	
	8 x buttons: (for manual channels control) 8 x LEDs, red:	To switch On/Off outputs / Move Up/Down channels / Select Fan Speed, switch valve output To display actual outputs/channels status
Mechanical data	REG casing 4TE: Width: Height: Length: Weight Mounting:	Plastic ABS – V0 72 mm 58 mm 90 mm 235 g 35 mm DIN rail
Electrical safety	Pollution class: Protection type: * Protection class: ** Overvoltage category: KNX Bus:	2 IP20 III III SELV DC 30V
EMC requirements	Complies with:	EMC directive 2014/30/EU
Environmental conditions	Weather resistance: Environmental conditions in operation: Storage emperature: Transportation temperature: Rel. humidity: (non condensing)	EN 50090-2-2 -5°C to +45°C -25°C to +55°C -25°C to +70°C 5 % to 93 %
Certification CE-Signage	KNX registered: According to EMC-Guidelines:	Yes (Residential and commercial buildings), Low Voltage guidelines

* (according to EN 60529); ** (according to IEC 1140)

Location and function of the LEDs and control elements



- 1: KNX bus connector
- 2: Programming button
- 3: Programming LED
- 4: SD card slot (only for internal use)
- 5: Outputs connector: Channel A, B

6.1: Manual control (See Annex 1)

Blind channel:

- Long press: Move Up (LED blinks while moving)
- Short press: Stop/Step

Binary channel:

- Short press: Output toggles to ON/OFF

6.2: Manual control (See Annex 1)

Blind channel:

- Long press: Move Down (LED blinks while moving)
- Short press: Stop/Step

Binary channel:

- Short press: Output toggles to ON/OFF

Binary input: "Manual action" / " Input 1..3 OR Input 4...6 range status selector"

7.1: LED output/channel status

Binary channel LED ON = Output ON, LED OFF = Output OFF / Shutter: LED blinks while moving UP

7.2: LED output/channel status

Binary channel LED ON = Output ON, LED OFF = Output OFF / Shutter: LED blinks while moving DOWN

8: Inputs terminal block connector

Mounting and wiring

As an REG device, the Power Block series are suitable for mounting in distribution boxes on 35 mm DIN rails and wall boxes.

To mount the device, it must be angled to slide onto the DIN rail from above and then locked into place with a downward movement.

Please make sure that the security latch at the bottom side of the device snaps into place and that the device is firmly attached to the rail. To dismount the device, the security latch can be pulled downwards with a suitable tool and then the device can be removed from the rail.

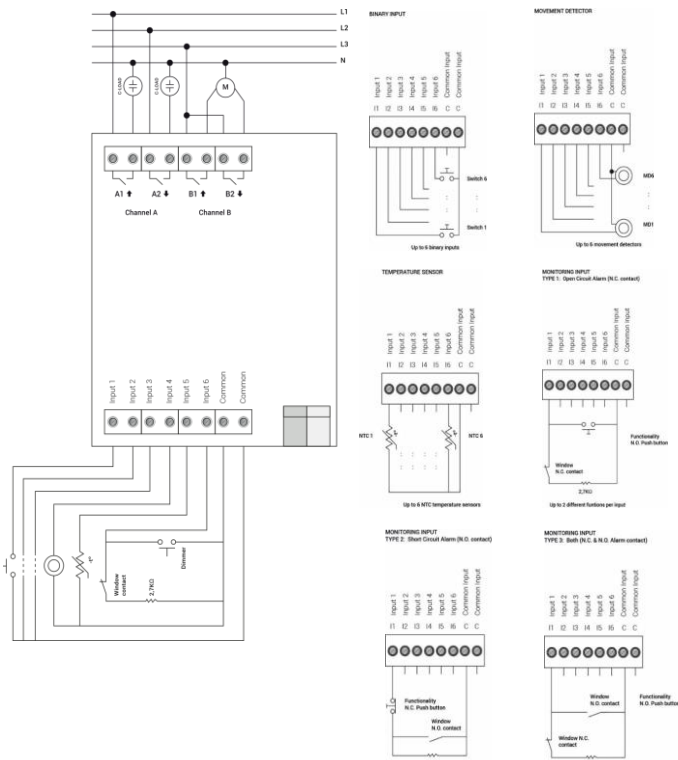
After the device has been inserted, the cables for the Outputs should be attached to the upper and lower connectors. However, please make sure that these are labelled clearly.

To connect the KNX cable, a standard bus connector is plugged into the respective entry on the device. Please make sure that there is double basic insulation between the KNX installation and the power supply. To do so, please insulate the wires of the KNX cable up to the bus connector with the enclosed shrinkable tubing.

Please make sure that the cables are laid in a way that ensures sufficient distance between the inputs and outputs cables.

OUTPUT / INPUTS SCHEMATIC

Each channel can be configured to be used as 2 binary outputs or as one blind channel. Each output can be powered by an independent phase. Inputs can be configured to receive binary and analog signals (movement detector, temperature sensor and monitored input).



ANNEX 1: Manual Control

The **outputs** of the actuator have 2 push buttons and 2 status LEDs for each output channel on the front side. These buttons can be activated to control each and every channel/output individually if you select "yes" in the relevant parameter options in Binary outputs and/or Shutter/Blinds. The LEDs represent:

For Binary outputs

- The top row: channels A1,A2,B1,B2

For Shutter/blinds:


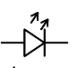

- The top row: channel's first relay A1->UP, A2->DOWN, B1-UP, etc.

The **inputs** of the actuator have 1 push button and 1 status LED for each input on the below LED row

- These buttons can be activated to control each and every input individually if you select "yes" in the relevant parameter options in Binary Input.
- The LEDs represent: The below row inputs 1&4, 2&5, 3&6 actual input status

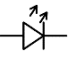
MANUAL CONTROL – PARAMETER

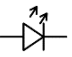
The Parameter Mode allows you to control all the channels of the actuator as configured in the ETS. The Action simulates a telegram received at the switching object of the selected channel.

BINARY	SHUTTER/BLIND
<p>Press action: Sends Toggle ON/OFF command "0/1" to the "Switching" object.</p> <p> LED = ON (indicates channel status)</p> <p> LED = OFF (indicates channel status)</p>	<p>Long press action (Channel output 1): Sends a UP command "0" to the "Move" object.</p> <p>Long press action (Channel output 2): Sends a DOWN command "1" to the "Move" object.</p> <p>Short press action (any output) (while shutter/blind is moving) of same button: Sends a Stop command to the "Stop..." object.</p> <p> LED blinks while moving UP/DOWN during parameterized time.</p>

Binary Inputs

Press action on 1&4, 2&5, 3&6: Sends Toggle ON/OFF command 0/1 to the "associated object" of the input (simulates the close/open action on the binary contact)

 LED = ON indicates input status -> Input contact closed

 LED = OFF (indicates channel status -> Input contact open)

"Man" push button in the right side for selection inputs status range between input 1..3 (LED = ON) and inputs 4..6 (LED = Blinking)

MANUAL CONTROL – TEST

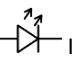
The Test Mode allows you to test all the loads/wiring connected to the channels. It is independent from the ETS configuration of the actuator (since the "Manual Control / Param mode + Test mode" is a default option, you can use the Test mode even before programming the actuator).

Important note: Should a blind/shutter be connected to a channel, the 2 channels may never be closed at the same time. Therefore, even in test mode, if the channel is configured as a blind, this safety measure is implemented. For this reason, it is better to first commission the OUTPUT: CHANNEL TYPE SELECTION before using the Test mode.


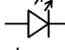

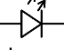
To change into the test mode, any button can be used depending of the channel configuration:

- If "Binary" or "Fan Coil" channel is configured: Press any button for at least 500ms
- If "Blind" channel is configured: Press the two buttons of any channel at the same time for at least 500ms

To change back to the normal "Parameter Mode" the same procedure should be repeated. Be aware by changing back to "Parameter Mode" the device will restart. Also after the device has restarted and if the channel is configured to be a blind channel, it will do a calibration movement on the first movement command.

 In order to indicate that the actuator is in Manual Control / Test Mode, the LED of the selected channel is continuously making a short blinking action every second; no matter whether the channel is ON (LED ON) or OFF (LED OFF).

The Action switches/moves the channel, as you can see in the table below:

BINÄRY	JALOUSIEN/BLENDE
<p data-bbox="87 246 392 342"><u>Press action:</u> Sends toggle ON/OFF command to the relay (ON = Contact closed / OFF = Contact open)</p> <div data-bbox="87 365 363 443">  LED = ON (indicates channel status) </div> <div data-bbox="87 448 375 515">  LED = OFF (indicates channel status) </div>	<p data-bbox="422 246 691 293"><u>Rising edge press action</u> (Channel X): Contact closed</p> <p data-bbox="422 297 675 342"><u>Falling edge press action</u> (Channel X): Contact open</p> <div data-bbox="422 365 691 443">  LED = ON (indicates channel status) </div> <div data-bbox="422 448 702 515">  LED = OFF (indicates channel status) </div>