

Installation and Operating Instructions



ComBridge LineCoupler Pro Order No. 3622-141-27

Compact KNX line coupler supporting KNX Data Security, Security Proxy and Segment Coupler

Application



- The ComBridge LineCoupler Pro is a compact KNX line coupler used to connect two KNX segments (e.g. a KNX line to a KNX area).
- It features an extended filter table for main group 0...31 and provides galvanic isolation between the connected lines.
- The device supports KNX Data Security and KNX Long Frames and is compatible with ETS® software from version 5 onwards. With the ETS 6 product database, the device also acts as a Security Proxy and Segment Coupler.
- Front-side push-buttons allow temporary deactivation of telegram filtering for test purposes. Status LEDs indicate operating conditions and bus communication errors.
- The device is powered via the KNX bus.

Available Products

The following device types from this product group are currently available:

Product	Description	Order No.
ComBridge LineCoupler Pro	Line coupler with KNX Secure protocol	3622-141-27

Scope of Delivery

The scope of delivery of a ComBridge LineCoupler Pro includes the following components:

- Device with pre-mounted bus terminal
- Installation and operating instructions
- Delivered in protective packaging

Application Software

The following registered application program is currently available for the ComBridge LineCoupler Pro:

- 3622-LC Pro_V1.0.0

Installation

The device is intended for fixed installation in dry indoor environments and for mounting on DIN rails in distribution boards.



WARNING – Risk of electric shock

- Installation and commissioning must be carried out by a qualified electrician only.
- Disconnect the device from the power supply before installation.
- Do not open the device.
- Observe all applicable safety and accident prevention regulations.
- Comply with all relevant national installation standards and regulations

Technical Data

Electrical Safety CE Marking in accordance with

- IP20 (according to EN 60529)
- EMC Directive 2014/30/EU
- RoHS Directive 2011/65/EU
- EN 63044-3:2018
- EN 63044-5-1:2019
- EN 63044-5-2:2019
- EN 63044-5-3:2019
- EN 61000-6-2:2019
- EN 61000-6-3:2021
- EN 63000:2018

Environmental Conditions

- Operating temperature: -5...+45 °C
- Storage temperature: -25...+70 °C
- Relative humidity: 5...93% (non-condensing)

Mechanical Data

- Housing: plastic
- DIN rail mounting, 1 module (18 mm)
- Weight: approx. 40 g

KNX

- Medium: TP
- KNX Security (AES-128) (incl. Security Proxy)
- Segment Coupler functionality
- Extended filter table (main group 0...31)
- Buffer: 2 × 50 telegrams
- Max. APDU length: 233
- Device model: 0x0912

Power Supply

- KNX main line: approx. 5 mA
- KNX sub line: approx. 3 mA

Connections

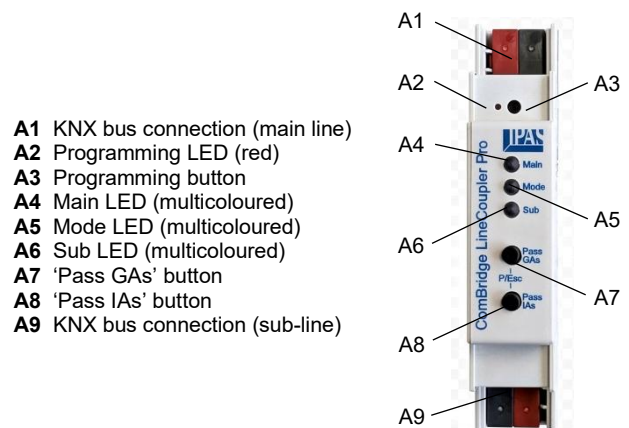
- KNX TP main line (red/black)
- KNX TP sub line (red/black)

Operating and Display Elements

- 2 push-buttons
- 3 multi-colour LEDs
- Programming button with red LED

Functions of the Operating and Display Elements

The KNX bus connections inside the distribution board are only accessible when the cover is removed.



Service and Returns

In case of malfunction, return the device to the manufacturer together with a completed return form. For further information: support@ipas-products.com.